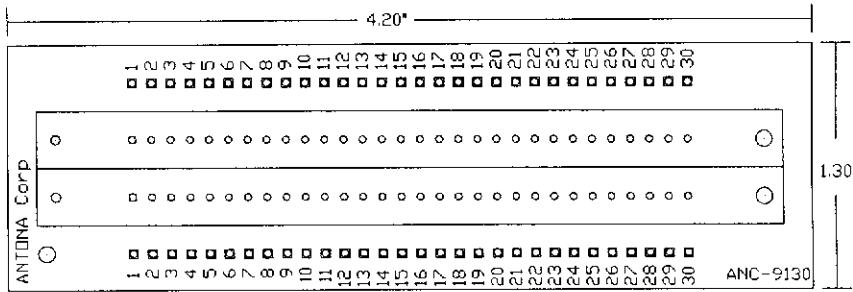
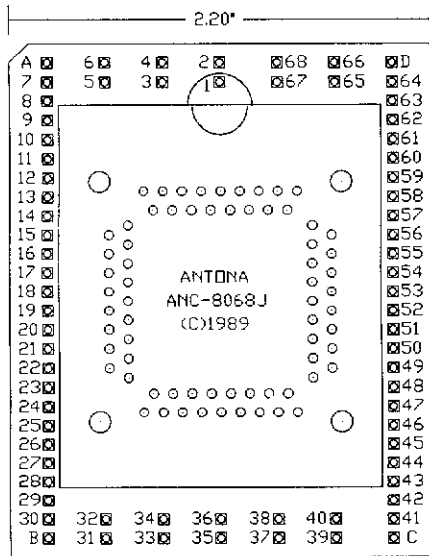


Dual 30-Pin .1" SIMM Adapter



*Antona*

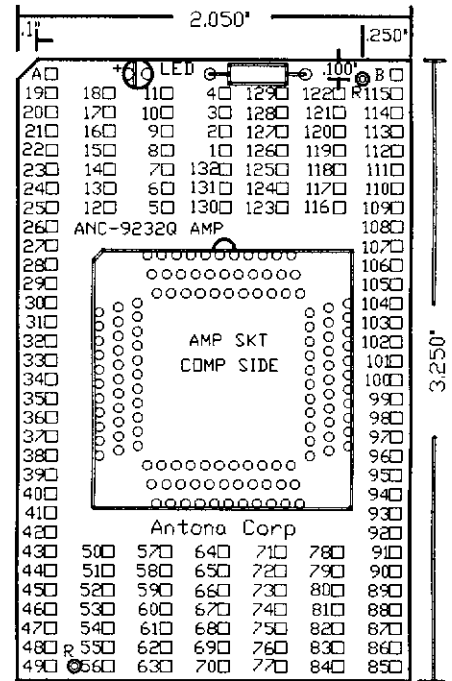
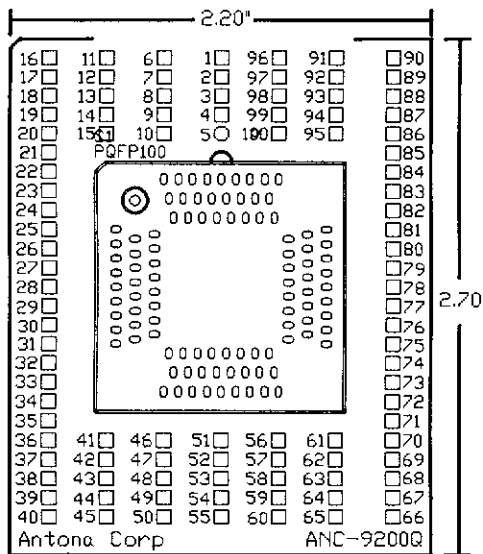
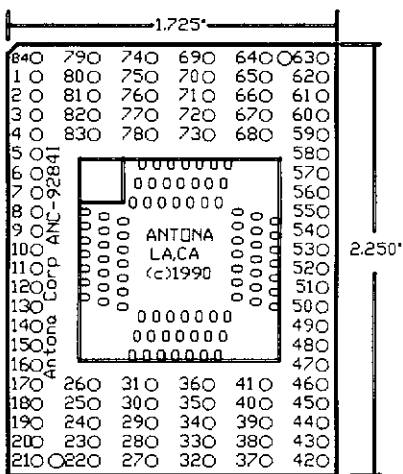


68-Pin TEST Socket Adapter

ANC - 8 P 68 V  
 PIN TYPE (0=W/W, 5=.018" MACH PIN)

SOCKET TYPE  
 J=J-LEAD, PLCC/PCC, PIN 1 CENTER  
 L=LCC, PIN 1 IN CENTER  
 S=J-LEAD, PIN 1 IN CORNER  
 T=LCC, PIN 1 IN CORNER

PLASTIC QUAD FLAT PACK



ORDERING INFORMATION

ANC - 9 P NN V

PIN TYPE (2=W/W, 7=.018" MACHINE-PIN)  
 NUMBER OF SOCKET PINS  
 (LAST 2 DIGITS OF TOTAL # OF PINS,  
 IE: 100 PIN VERSION IS ANC-9200)

SOCKET PIN NUMBERING  
 I=PQFP, PIN 1 IN CORNER  
 Q=PQFP, PIN 1 IN CENTER

ANTONNA Corp. (310)473-8995 FAX:(310)473-7112